

SUNZUANT

Quick Mold Exchange Cart

尚川快速换模台车 >>>>



東莞市尚川精密機械有限公司
DONGGUAN SUNZUANT
PRECISION MACHINERY CO.,LTD.

5

分鐘換模

www.sunchina168.cn





尚川簡介 COMPANY PROFILE

東莞市尚川精密機械有限公司是一家專業製造和銷售沖床、注塑機、壓鑄機、油壓機等全自動換模台車設備廠家，其產品包括：全自動換模台車，氣動泵浦組合、夾模器、舉模器、移模臂、電氣控制系統、超負荷保護系統以及滑塊鎖固系統等產品。

公司自2008年成立以來，全體員工秉承“尚品臻至，川壘為澤”的企業文化，以精湛的研發實力，科學的管理模式，誠信的經營態度、完整的售後服務獲得業界的認可，同時以優質的產品質量贏得了客戶和社會的高度評價。

尚川精機的主導產品為：換模台車、氣動泵單元、舉模器、移模臂、電控操作系統、超負荷保護裝置及滑塊鎖固器等，普遍運用於各種沖床、射出機、壓鑄機等行業。

公司以質量第一，信譽第一，服務第一，用戶至上為宗旨，通過提供優質的產品和服務，最大限度滿足客戶的需求！

Dongguan SUNZUANT precision machinery co., ltd is a professional manufacture and processing the product corporation, such as Fully automatic die exchange cart, Die Clamp, Bolster Extension Series, Die Lifter Series, Air Drive Hydraulic Pump Unit, Electronic Control Operation Panel etc.

Since our company established, All our employees adhering to the corporate culture of "Value quality, respect humanity" We gain recognized by the industry with excellent R & D strength, scientific management mode, honesty business operations of attitude and complete after-sale service, Besides, our high quality product gain highly regarded from clients and society.

Leading products of SUNZUANT is Exchange Cart, Pneumatic pump unit, TX Die Clamp, TY Die Clam, Die Lifter Series, Electronic Control Operation Panel, Overload Pump and Slide Lock etc. Those acts press, Injection molding machine and Quick Die Change System For Mechanical Press. The tenet of SUNZUANT is high quality first, reputation first, service first, customer foremost, SUNZUANT try to satisfy customers varied needs by high quality product and service.

▼ 尚川快速換模商業效益

BENEFITS OF SUNZUANT Q.M.E.C

SUNZUANT Q.M.E.C.提供給各式沖床模具多樣性的快速換模專用元件，此系統的使用，不僅降低了沖床的閒置時間，並且大大的促進了產能的提升，使用生產管理更為合理化。

The SUNZUANT Q.M.E.C not only reduces press downtime due to die changes, but also greatly improves productivity and streamlines corporate management.





尚川快速换模臺車

SUNZUANT QUICK MOLD EXCHANGE CART

尚川快速换模台车适用于换模频率高的生产类型，可大幅增加生产效率，快速准确完成换模作业，低预算与安全作业环境。

尚川快速换模也可针对各种不同冲床作业系统提供专业定制设计。

SUNZUANT Quick mold exchange carts designed for the production that required high frequency of mold exchange. It helps to maximize productivity, fast transferring and accurate positioning and safer and easier operation. In addition, SUNZUANT provides customize design to accommodate many possible applications of press working environment.

▼ 機械特性

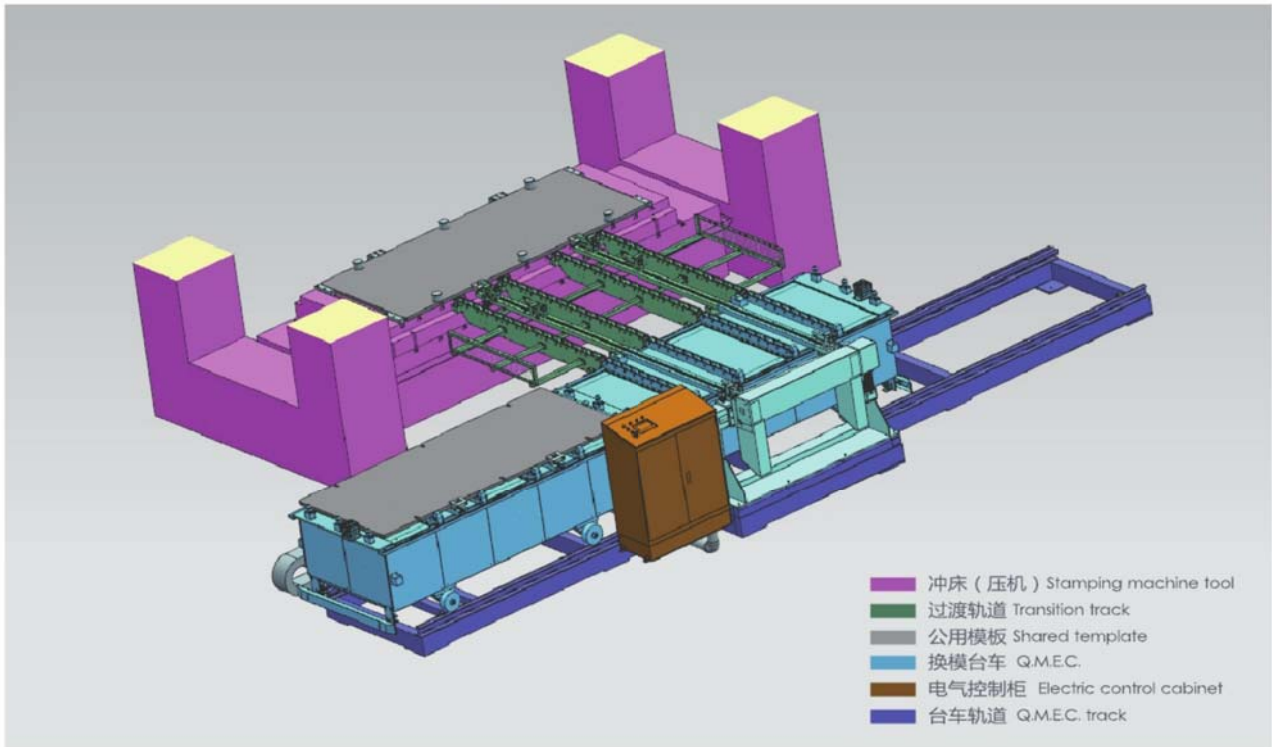
Mechanical Characteristics

- 油压动力控制
- 台车与推模器附定位检知以精准定位
- 轨道式移动设计
- 台车移动由AC减速马达附变频器
- 推模器伸缩由AC减速马达附变频器
- 自动与手动模式
- 滚轮式平台荷重力高，模具移动摩擦力低
- 引导柱、蜂鸣器与警示灯，提供安全操作环境
- 台车可组装于冲床任何一方，以适应各种作业
- 伸缩式渡桥取代较占空间的举模臂或换模过渡平台，以方便冲床作业
- Fully hydraulic power control.
- Cart and push-pull system are equipped with detecting device for exact positioning.
- Dedicated rail cart design.
- Cart travel is driven by AC reducer motor with inverter.
- Push-pull system is driven by AC reducer motor with inverter.
- Auto & manual mode.
- High capacity roller with low friction mold transfer.
- Guide pillar, buzzer and alarm lamp for safety operation.
- Cart can be installed in any side of the press to fit any possible workshop layout.
- Using extension loop roller for better access to the press and also saving more space.



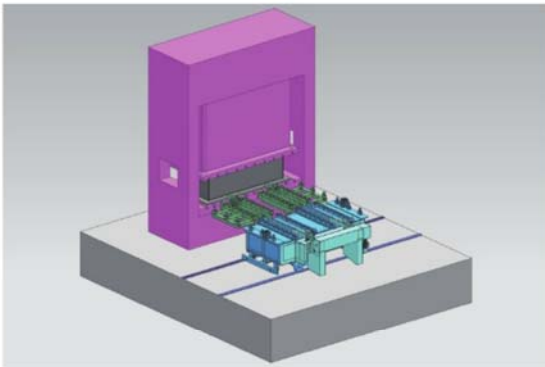
▼ 换模臺車功能圖

FUNCTION DIAGRAM OF DIE EXCHANGE CART

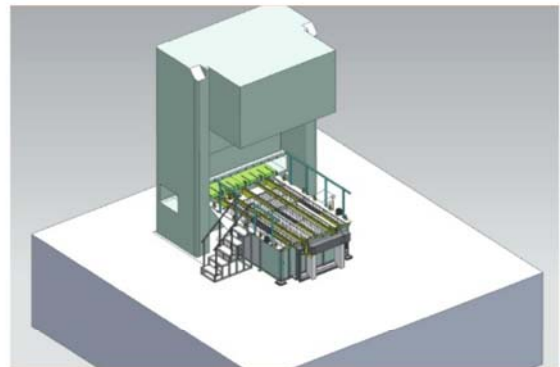


▼ 换模臺車類型

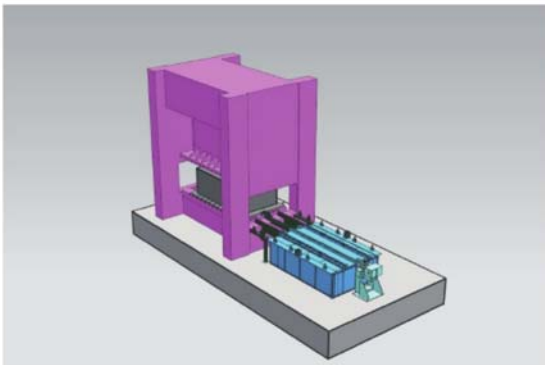
TYPE OF DIE EXCHANGE CART



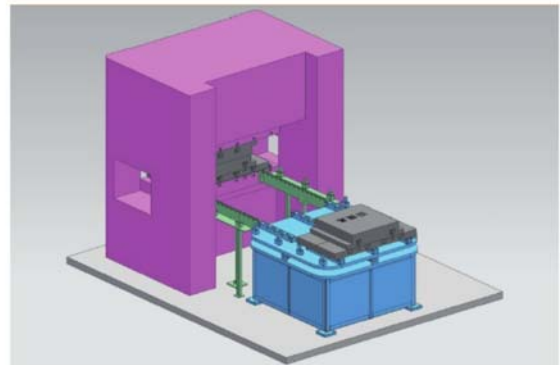
▲ 单工位移动台车 (正前方进模)
Single-workstation mobile cart (Front-loading mould)



▲ 单工位固定台车 (正前方进模)
Single-workstation fixed cart (Front-loading mould)



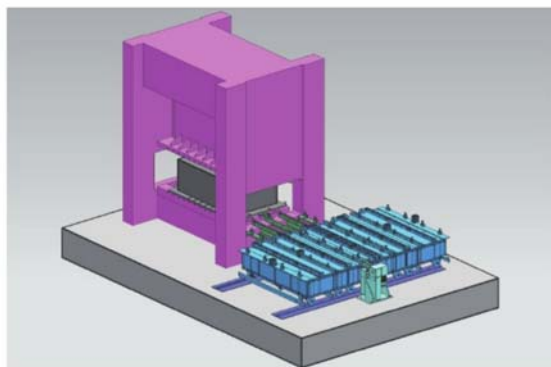
▲ 单工位固定台车 (侧面进模)
Single-workstation fixed cart (Side-loading mould)



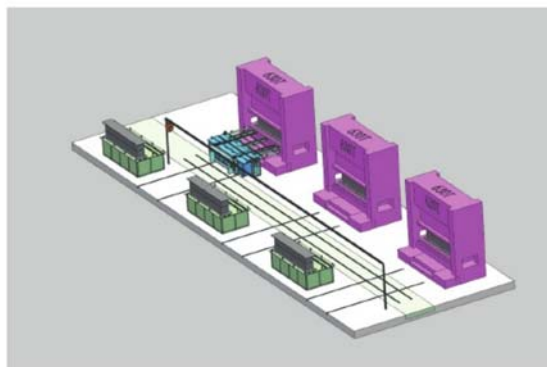
▲ 单工位固定旋转台车 (正前方进模)
Single-workstation fixed rotating cart (Front-loading mould)

▼ 换模臺車類型

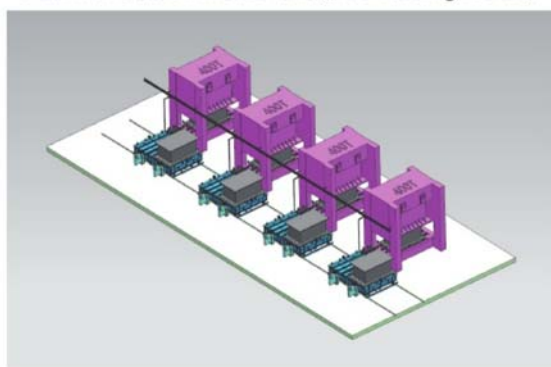
TYPE OF DIE EXCHANGE CART



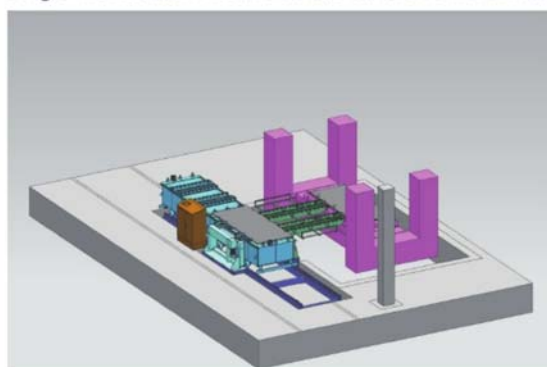
▲ 双工位移动台车 (侧面进模)
Dual-workstation mobile cart (Side-loading mould)



▲ 单工位移动台车 (一车三机共用)
Single-workstation mobile cart (1 cart for 3 machines)



▲ 双工位移动台车 (四机连线)
Dual-workstation mobile cart (4in-line machines)



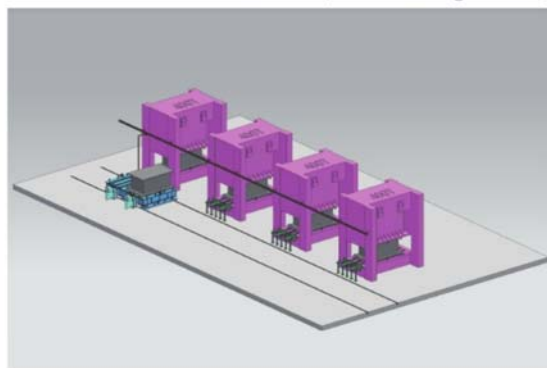
▲ 双工位移动台车 (正前方进模)
Dual-workstation mobile cart (Front-loading mould)

▼ 企業技術標志

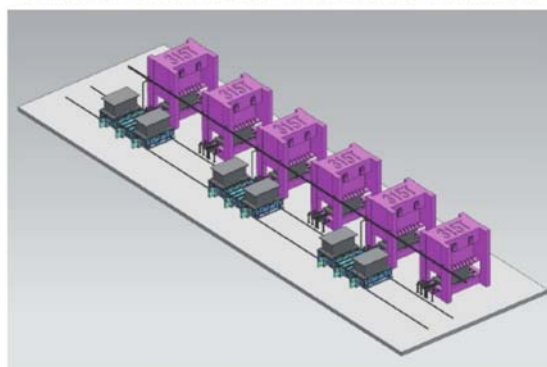
Enterprise technical sign

由于产品品种的增多,使模具在生产中更换变得异常频繁,迫使企业缩短设备的停机时间,提高生产效率,于是快速换模系统受到了人们的高度关注。目前发达工业国家的企业换模速度达到了惊人的程度,是否具有快速换模设备已成为企业技术进步的一项重要标志。

Due to the increasing variety of products, so that the mold in the production of frequent replacement, forcing enterprises to reduce equipment downtime, improve production efficiency, So the rapid die change system has been highly concerned by people. At present, the enterprises in developed industrial countries have reached an alarming degree, With the rapid die changing equipment has become an important symbol of enterprise technological progress



▲ 双工位移动台车 (一车四机共用)
Dual-workstation mobile cart (1cart for 4 machines)



▲ 三工位移动台车 (一车两机共用)
Tri-workstation mobile cart (1 cart for 2 machines)

▼ 换模臺車附件

DIE EXCHANGE CART ACCESSORIES



▲ TY夹模器
TY DIE CLAMP



▲ TX夹模器
TX DIE CLAMP



▲ 气动泵组合SP1014-4C
PNEUMATIC OIL PUMP COMBINATION



▲ TAX自走式夹模器
TAX AUTO MOVING DIE CLAMP



▲ TR旋转式夹模器
TR 90° ROTARY DIE CLAMP



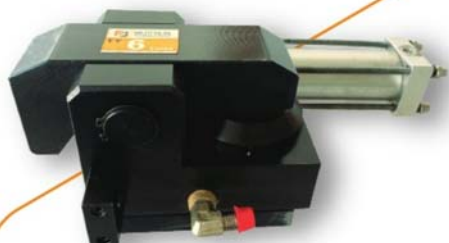
▲ TS摇摆式夹模器
TS SWING TYPE NOW-TOUCH CLAMP



▲ TH夹模器
TH DIE CLAMP



▲ TX夹模器(带推拉缸)
TX DIE CLAMP(WITH A PUSH PULL CYLINDER)




▲ TY夹模器(带推拉缸)
TY DIE CLAMP(WITH A PUSH PULL CYLINDER)



▲ DL50举模器
DL50 DIE LIFTER



 东莞市尚川精密机械有限公司 寮步镇

广州 ●
东莞 ●
深圳 ●
澳门 ●
香港 ●



东莞市尚川精密机械有限公司
东莞市寮步镇石龙坑岗头大富地工业區
電話: 0769-8938 4111 傳真: 0769-8938 4311
郵箱: sunchina1688@163.com
網址: <http://www.sunchina168.cn>

